

Contact: [sales@pacificoutdoorkitchens.com](mailto:sales@pacificoutdoorkitchens.com)

Phone: 236-508-5004

[www.pacificoutdoorkitchens.com](http://www.pacificoutdoorkitchens.com)

PACIFIC  OUTDOOR  
KITCHENS





PACIFIC OUTDOOR  
KITCHENS



Discover the extraordinary world of Pacific Outdoor Kitchens, where innovation and technology come together to create exceptional culinary experiences. Our commitment to excellence is exemplified through the utilization of state-of-the-art software and cutting-edge machinery.

Each product within our range undergoes a meticulous design process, utilizing advanced modelling software to ensure flawless execution. To optimize precision and minimize any metal flaring, our designs are meticulously simulated for bend deductions. This step guarantees that our products are manufactured to the most exacting standards.

We employ the renowned Trumpf fibre laser for cutting, a pinnacle of precision technology, to achieve unparalleled accuracy. With this exceptional tool at our disposal, our products are cut with a remarkable precision of 1/10,000<sup>th</sup> of an inch. Furthermore, our 170-ton press brake, known for its reliability and accuracy, ensures that each piece is bent to perfection.

At Pacific Outdoor Kitchens, we are not only dedicated to meeting your specifications, but we strive for a level of aesthetic refinement that reflects our commitment to creating premium products. Every kitchen we produce is a testament to our unwavering attention to detail, resulting in a remarkable fusion of functionality and visual appeal.

Prepare to be captivated by the harmonious integration of cutting-edge technology and masterful craftsmanship. Experience the art of precision and enjoy the pleasure of cooking in a visually stunning and flawlessly designed outdoor kitchen.

Pacific Outdoor Kitchens - Where innovation, precision, and timeless elegance unite to redefine outdoor culinary excellence.

**Contact:**  
**[sales@pacificoutdoorkitchens.com](mailto:sales@pacificoutdoorkitchens.com)**  
**Phone: 236-508-5004**

**[www.pacificoutdoorkitchens.com](http://www.pacificoutdoorkitchens.com)**

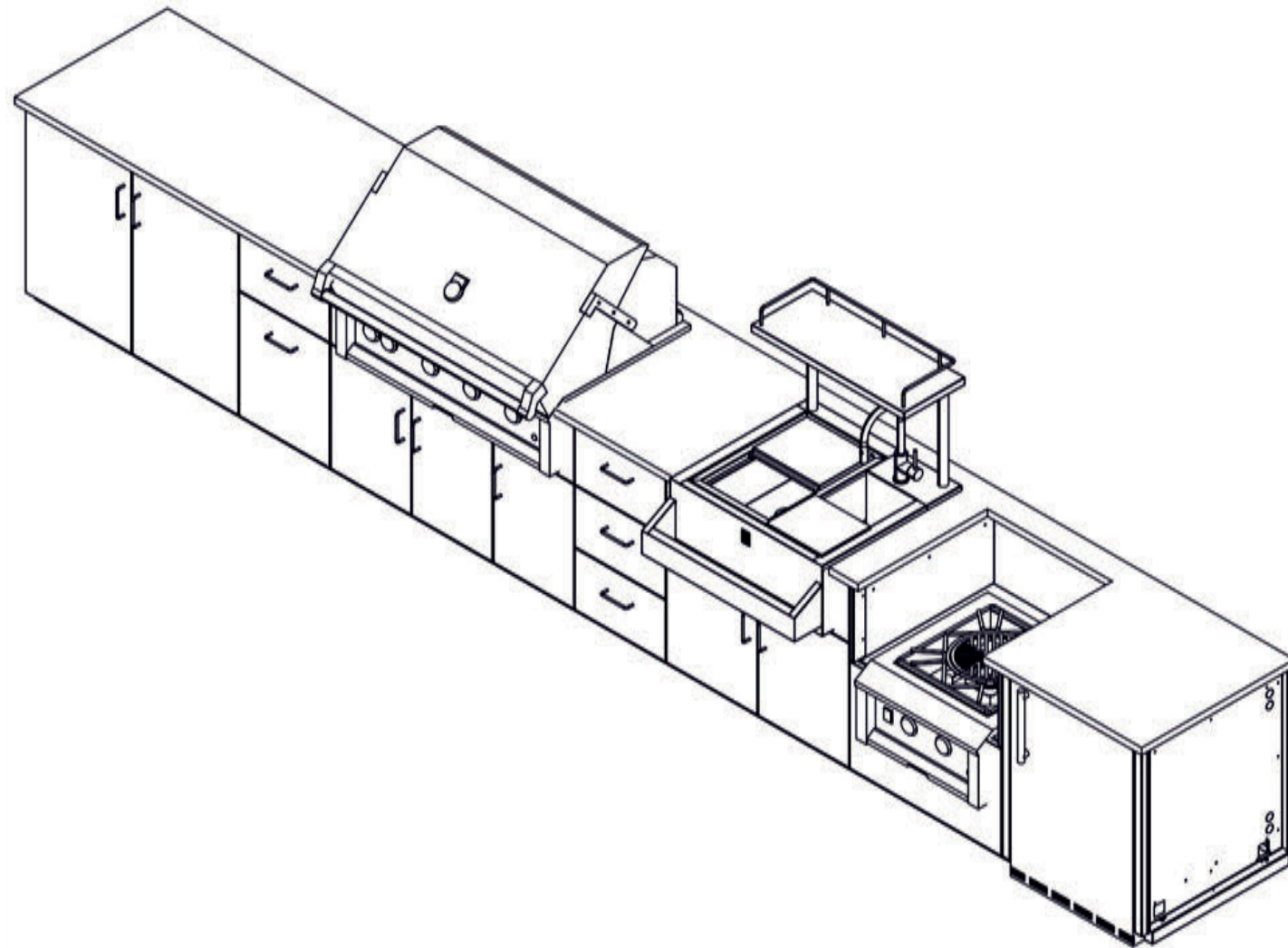


## Custom Kitchen Layout

CLIENT  
COLOUR TBD  
COUNTERTOP THICKNESS 1.25"  
BACK PANELS No  
EQUIPMENT BBQ, Beverage Centre, Fridge, Pizza Oven, Power Burner

JOB # 230610  
FUEL TYPE TBD  
HANDLES Standard  
STAINLESS 304

### Isometric View



- Stainless Steel Interiors
- Powdercoated Aluminum Exteriors
- Adjustable Leveling Legs
- Integrated Toe Kick
- Custom Configurable Layouts
- Pre-Cut Panel Knockouts
- Sound Dampening in Doors and Drawers
- Multiple Handle Options

\*Confirm Counter Top Thickness, Appliance Fitment and Specifications Before Production\*

[pacificoutdoorkitchens.com](http://pacificoutdoorkitchens.com)

SHEET 1/4

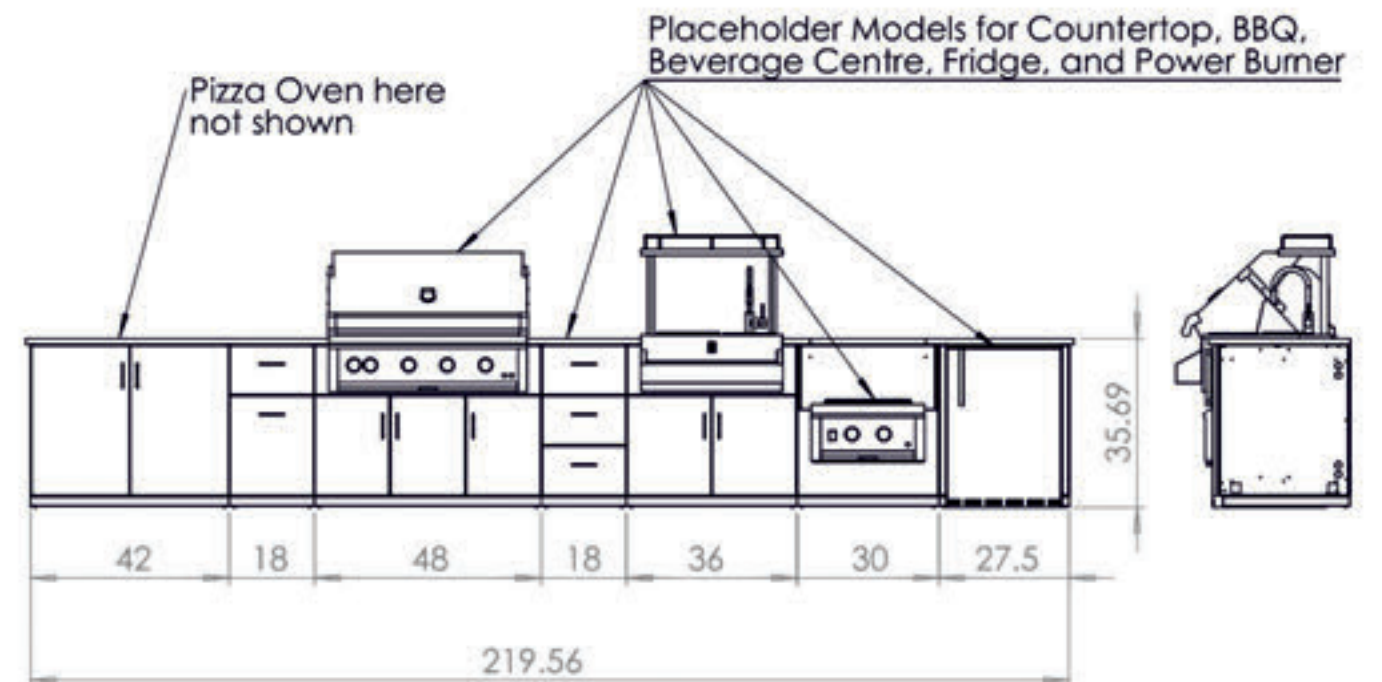
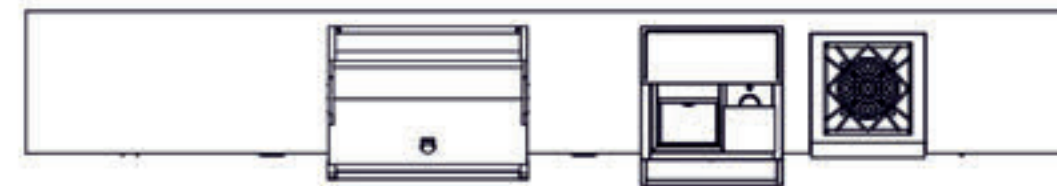




# Custom Kitchen Layout

CLIENT	JOB # 230610
COLOUR TBD	FUEL TYPE TBD
COUNTERTOP THICKNESS 1.25"	HANDLES Standard
BACK PANELS No	STAINLESS 304
EQUIPMENT BBQ, Beverage Centre, Fridge, Pizza Oven, Power Burner	

## Orthographic View



\*Confirm Counter Top Thickness, Appliance Fitment and Specifications Before Production\*

# Custom Kitchen Options

## Powder Coat Colour Options



## Handle Style Options



## Handle Finish Options



SCAN FOR MORE  
COLOUR OPTIONS



VISIT OUR  
WEBSITE



- Mountable on various surfaces
- Great hardware to suspend counter-top



Plan

Dimensions  
Front

Right



\*\*All dimensions in this document are in imperial inches.

SCAN FOR MORE  
COLOUR OPTIONS



VISIT OUR  
WEBSITE

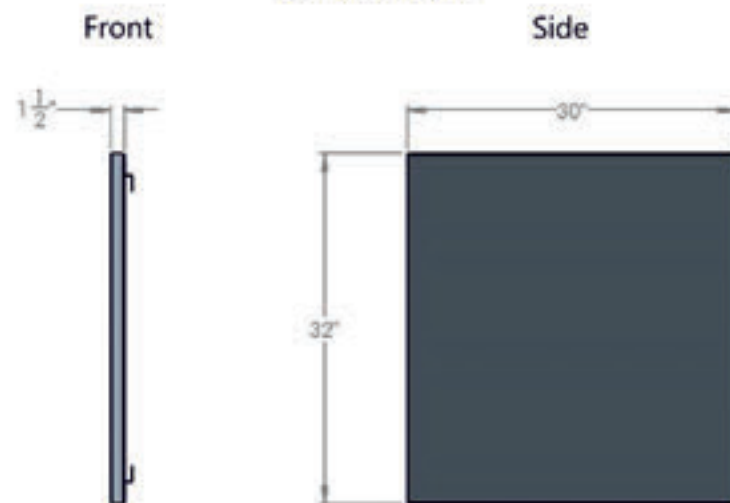


POK-SS-01-22  
POK-SSFLH-01-22  
POK-SSFRH-01-22

- Powdercoated aluminum exterior
- Mounted on side of any module to hide exposed interiors.
- SSFLH and SSFLR configurations are specially configured to mount along fridge units with back panel options available



### Dimensions



\*\*All dimensions in this document are in imperial inches.

[pacificoutdoorkitchens.com](http://pacificoutdoorkitchens.com)



## Custom Kitchen Details

### Kitchen Cabinet Details

- Quality stainless steel hardware used throughout the cabinet
- Sound deadening in doors and drawers
- Adjustable toe kick plates
- Leveling legs to uneven surfaces



- Pre-cut knockouts make plumbing and wiring easy
- Removable panels for gas and plumbing connections
- Durable, easy to clean finishes
- Modular design allows the kitchen to be rearranged as desired

[pacificoutdoorkitchens.com](http://pacificoutdoorkitchens.com)

SHEET 4/4



POK-CABS-XX-22  
XX = Widths

- Stainless steel interiors
- Powdercoated aluminum exteriors
- 2" Adjustable leveling legs
- Integrated toe kick
- Removable panels for gas and plumbing
- Pre-cut panel knockouts for wiring
- Sound dampening in doors
- Various handle options available
- Compatible for range grills and side burners

CABS configuration available in following widths: 18, 24, 36, 48, 54, 60



Dimensions

Plan

Front

Right



\*\*All dimensions in this document are in imperial inches.

[pacificoutdoorkitchens.com](http://pacificoutdoorkitchens.com)



POK-ESLH-12-22  
POK-ESRH-12-22

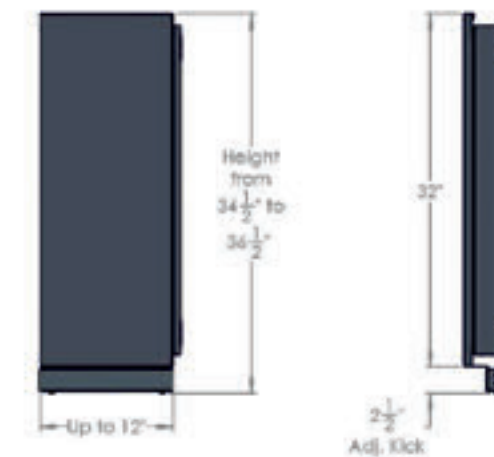
- Powdercoated aluminum exteriors
- 2" Adjustable leveling legs
- Integrated toe kick
- Option for outdoor electrical outlets
- Mount to side of any module to fill gap between wall



Dimensions

Front

Side



\*\*All dimensions in this document are in imperial inches.

[pacificoutdoorkitchens.com](http://pacificoutdoorkitchens.com)





POK-SPA-XX-22  
XX = Widths

- Powdercoated aluminum exteriors
- 2" Adjustable leveling legs
- Integrated toe kick
- Option for outdoor electrical outlets

SPA configuration available in following widths: 4

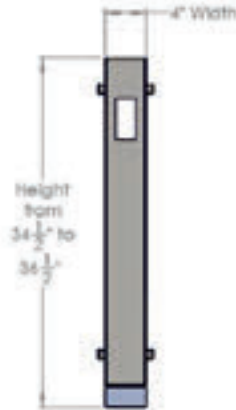


Dimensions

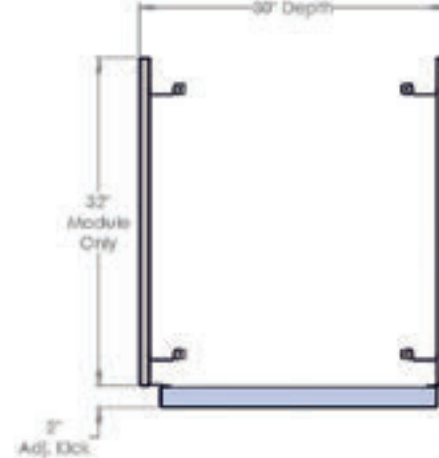
Plan



Front



Right



\*\*All dimensions in this document are in imperial inches.

[pacificoutdoorkitchens.com](http://pacificoutdoorkitchens.com)



POK-2DS-XX-22  
XX = Widths

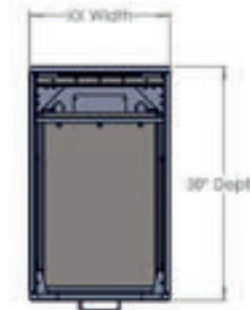
- Stainless steel interiors
- Powdercoated aluminum exteriors
- 2" Adjustable leveling legs
- Integrated toe kick
- Compatible for range grills and side burners
- Removable panels for gas and plumbing
- Pre-cut panel knockouts for wiring
- Various handle options available
- Soft close Blum drawer slides

2DS configuration available in following widths: 18,24,36



Dimensions

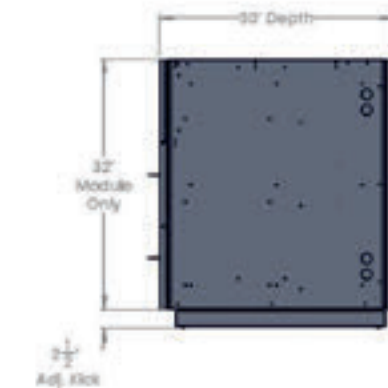
Plan



Front



Right



\*\*All dimensions in this document are in imperial inches.

[pacificoutdoorkitchens.com](http://pacificoutdoorkitchens.com)



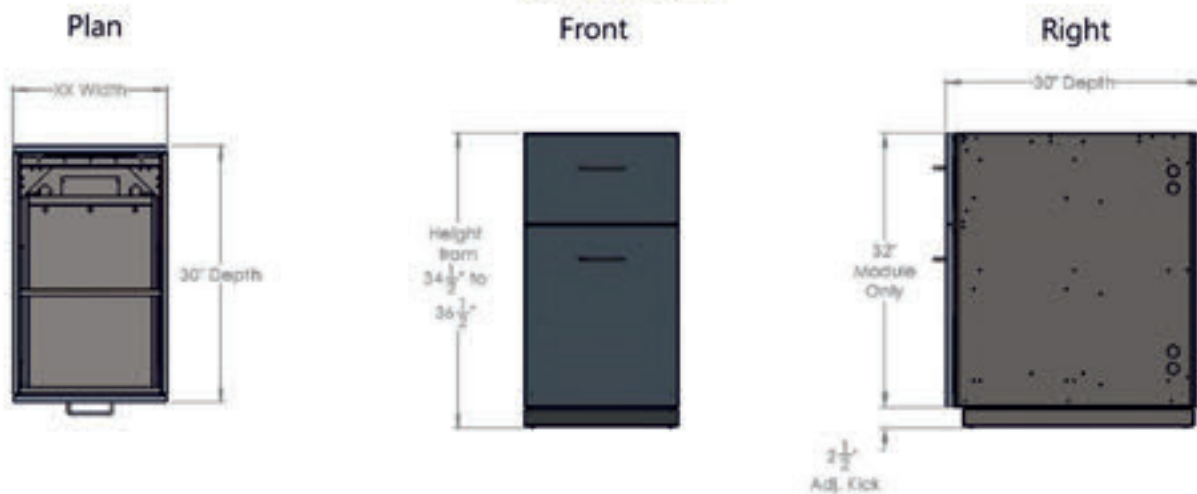
POK-GD-XX-22  
XX = Widths

- Stainless steel interiors
- Powdercoated aluminum exteriors
- 2" Adjustable leveling legs
- Integrated toe kick
- Two garbage bins included
- Removable panels for gas and plumbing
- Pre-cut panel knockouts for wiring
- Various handle options available
- Soft close Blum drawer slides

GD configuration available in following widths: 18



Dimensions



\*\*All dimensions in this document are in imperial inches.

[pacificoutdoorkitchens.com](http://pacificoutdoorkitchens.com)



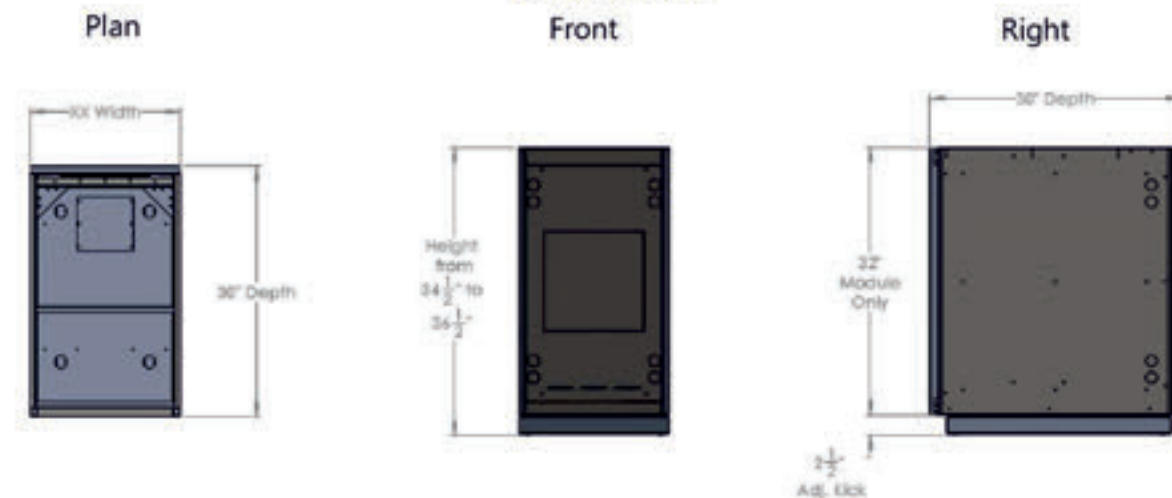
POK-OPNS-XX-22  
XX = Widths

- Stainless steel interiors
- Powdercoated aluminum exteriors
- 2" Adjustable leveling legs
- Integrated toe kick
- Removable panels for gas and plumbing
- Pre-cut panel knockouts for wiring

OPNS configuration available in following widths: 18



Dimensions



\*\*All dimensions in this document are in imperial inches.

[pacificoutdoorkitchens.com](http://pacificoutdoorkitchens.com)



POK-OP-XX-22  
XX = Widths

- Stainless steel interiors
- Powdercoated aluminum exteriors
- 2" Adjustable leveling legs
- Integrated toe kick
- Removable panels for gas and plumbing
- Pre-cut panel knockouts for wiring
- Two fixed shelvings

OP configuration available in following widths: 18,24,30



Dimensions

Plan

Front

Right



\*\*All dimensions in this document are in imperial inches.

[pacificoutdoorkitchens.com](http://pacificoutdoorkitchens.com)



POK-3D-XX-22  
XX = Widths

- Stainless steel interiors
- Powdercoated aluminum exteriors
- 2" Adjustable leveling legs
- Integrated toe kick
- Removable panels for gas and plumbing
- Pre-cut panel knockouts for wiring
- Various handle options available
- Soft close Blum drawer slides

3D configuration available in following widths: 18,24,36

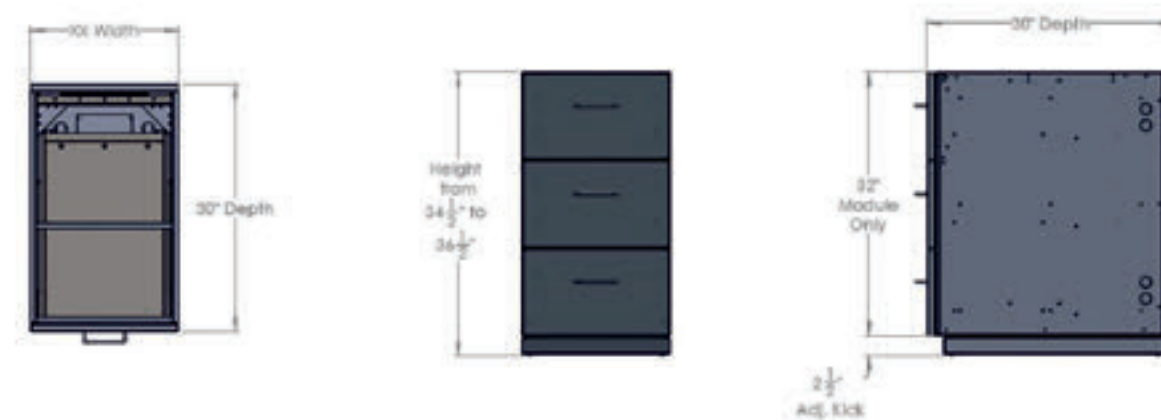


Dimensions

Plan

Front

Right



\*\*All dimensions in this document are in imperial inches.

[pacificoutdoorkitchens.com](http://pacificoutdoorkitchens.com)



POK-CAB-XX-22  
XX = Widths

- Stainless steel interiors
- Powdercoated aluminum exteriors
- 2" Adjustable leveling legs
- Integrated toe kick
- One adjustable shelves included (up to 36")
- Removable panels for gas and plumbing
- Pre-cut panel knockouts for wiring
- Sound dampening in doors
- Various handle options available

CAB configuration available in following widths: 6,12,18,21,24,30,36,42,48



Dimensions

Plan

Front

Right



\*\*All dimensions in this document are in imperial inches.

[pacificoutdoorkitchens.com](http://pacificoutdoorkitchens.com)



POK-K-XX-22  
XX = Widths

- Stainless steel interiors
- Powdercoated aluminum exteriors
- 2" Adjustable leveling legs
- Integrated toe kick
- Removable panels for gas and plumbing
- Pre-cut panel knockouts for wiring
- Sound dampening in doors
- Various handle options available

K configuration available in following widths: 30,36

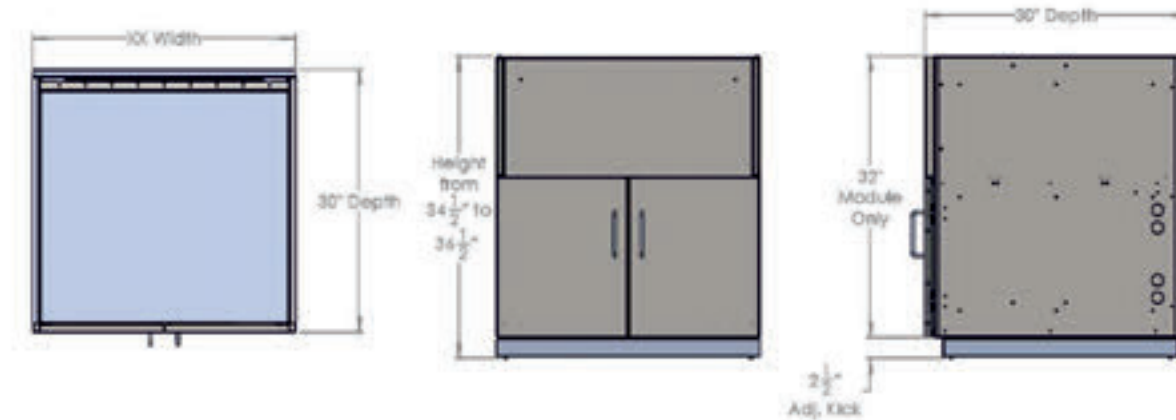


Dimensions

Plan

Front

Right



\*\*All dimensions in this document are in imperial inches.

[pacificoutdoorkitchens.com](http://pacificoutdoorkitchens.com)



POK-COR-22

- Stainless steel interiors
- Powdercoated aluminum exteriors
- 2" Adjustable leveling legs
- Integrated toe kick
- Removable panels for gas and plumbing
- Pre-cut panel knockouts for wiring

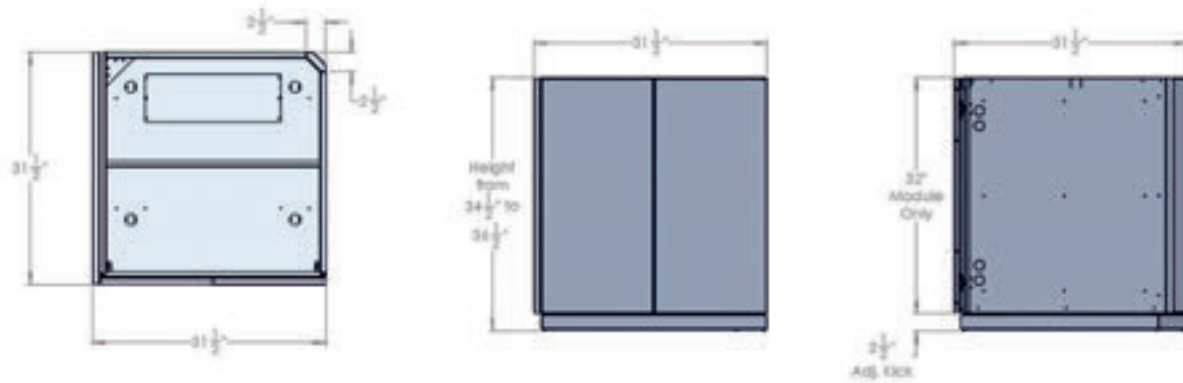


Dimensions

Plan

Back

Side



\*\*All dimensions in this document are in imperial inches.

[pacificoutdoorkitchens.com](http://pacificoutdoorkitchens.com)



POK-FRI-XX-22

XX = Widths

- Stainless steel interiors
- Powdercoated aluminum exteriors
- 2" Adjustable leveling legs
- Integrated toe kick
- Removable panels for gas and plumbing
- Pre-cut panel knockouts for wiring
- Sound dampening in doors
- Compatible for bar fridges and wine coolers

FRI configuration available in following widths: 27.5"

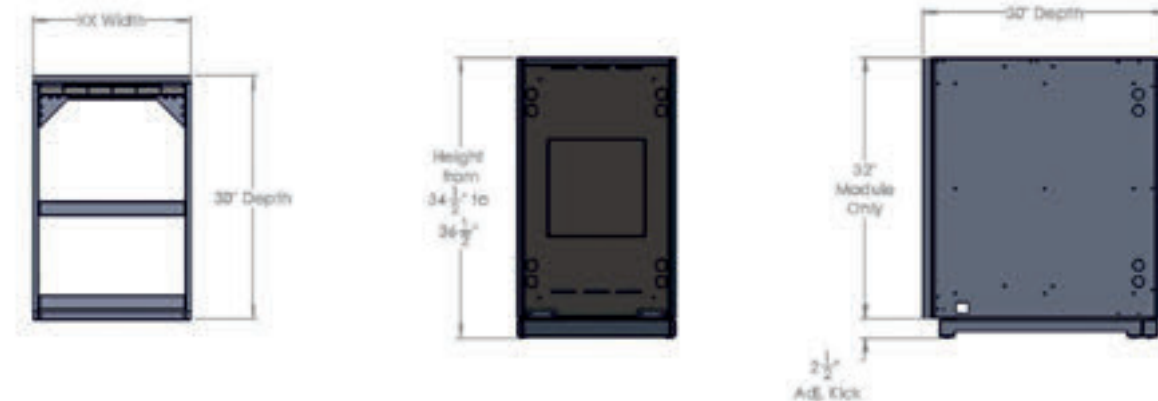


Dimensions

Plan

Front

Right



\*\*All dimensions in this document are in imperial inches.

[pacificoutdoorkitchens.com](http://pacificoutdoorkitchens.com)

**PACIFIC OUTDOOR**  
KITCHENS

